

STELLA 500 BURNER AUTOMATIC

AUTOMATIC OUTDOOR GAS BURNER

Gas Technology

AUTOMATIC GAS TECHNOLOGY

Stella offers a hassle-free experience. With just a push of a button, you can ignite the fireplace, instantly creating a cozy atmosphere in any outdoor setting. The design includes safety features like automatic shut-off and precise temperature control, making it a safe and efficient choice.

BUILT TO LAST!

Stella burner is made with the finest quality components, ensuring durability and performance in any outdoor setting. It's waterproof, robust, and built to withstand severe weather conditions.

BURNER FOR CUSTOM OUTDOOR DESIGNS

Stella gas burner is our solution for those looking for convenient automatic fire in outdoor space. Simply insert the burner in a surrounding that you like and enjoy the most elegant fire decoration.

NATURAL GAS OR LPG

A gas fireplace, versatile in its fuel options, can operate on either LPG or natural gas, offering a consistent fuel supply, making it a reliable heat source. The flexibility in fuel types allows users to choose the most accessible and cost-effective option for their needs.



WALL SWITCH CONTROL PANEL

Install the dedicated control panel on a wall near the fireplace so you can always easily regulate the fire.



REMOTE CONTROL

Control the fire with the remote, app on your smartphone or a home automation system.



Stella 500 Burner Automatic

(Gas Technology)

Fuel type	Natural Gas / LPG
Heat output	(NG) max. 5.6 kW (LPG) max. 5.1 kW
Gas consumption	(NG) max. 0.5 m ³ /h (LPG) max. 0.4 kg/h
Gas pressure	(NG) 20 mbar (LPG) 37 mbar
Total gas hose length	4 meters (measured from valve to pressure regulator)
Power supply	remote: 2x 1.5V AAA batteries receiver: 4x 1.5V AA Wi-Fi: 6V DC
Flue	not required
Flame height regulation	yes
Materials	powder coated galvanized steel
Decorative accessories	black glass gravel
Application	for outdoor use

CONTROL OPTIONS



included



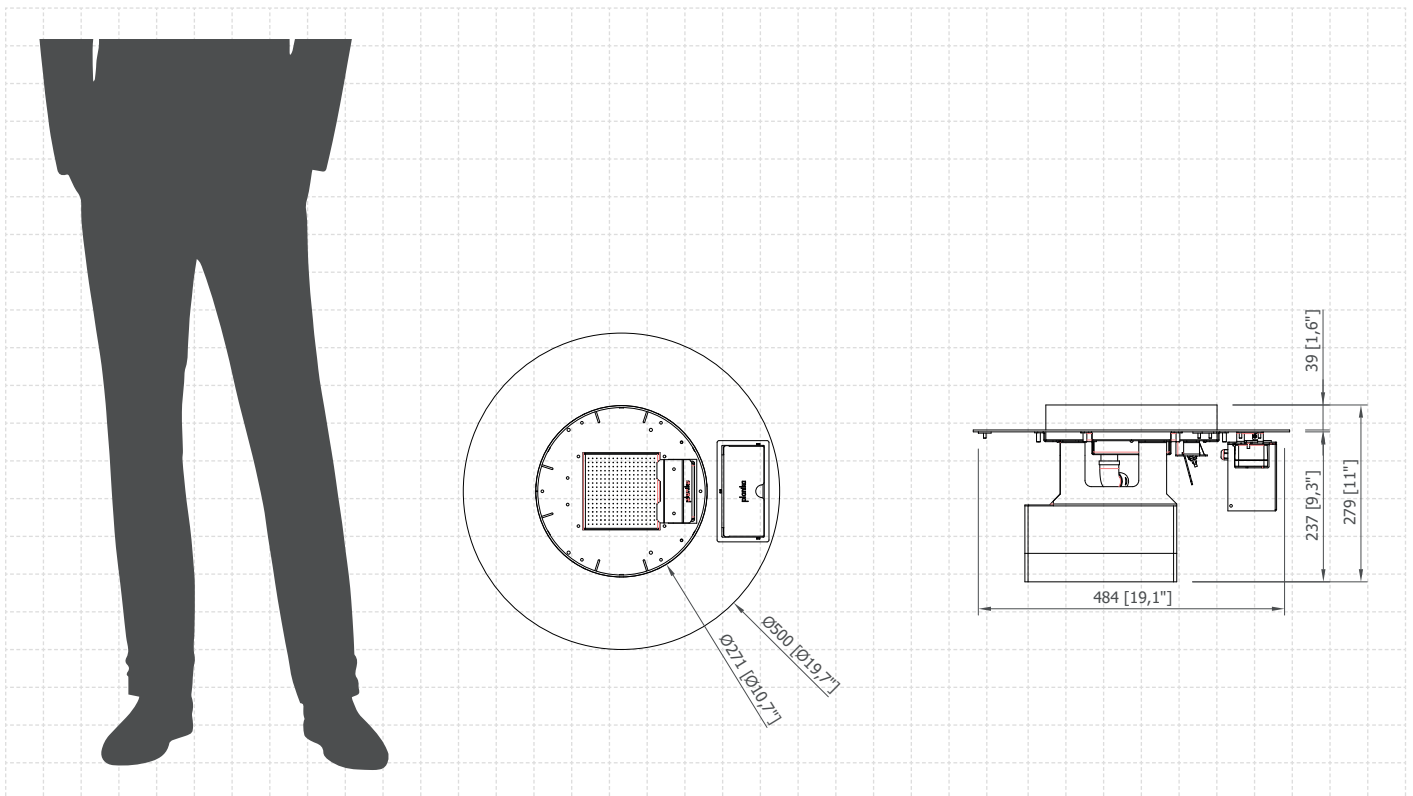
optional



compatible

'PLANIKA GAS CONTROL' APP

Control the fire with your smartphone!



All product specifications and data are subject to change without notice and are believed to be accurate as of the date hereof. Planika Sp. z o.o., its affiliates, agents, and employees, and all persons acting on its or their behalf (collectively, "Planika Sp. z o.o."), disclaim any and all liability for any errors, inaccuracies or incompleteness contained in any document or in any other disclosure relating to any product. To the maximum extent permitted by applicable law, Planika Sp. z o.o. disclaims any and all liability arising out of the application or use of any product. No license, express or implied, by estoppel or otherwise, to any intellectual property rights is granted by this document or by any conduct of Planika Sp. z o.o.. Customers using or selling Planika Sp. z o.o.'s products not expressly indicated for use in such applications do so entirely at their own risk and agree to fully indemnify Planika Sp. z o.o. for any damages arising or resulting from such use or sale. The provided fuel consumption is based on laboratory testing. The actual consumption of individual devices may vary. The images are indicative only.