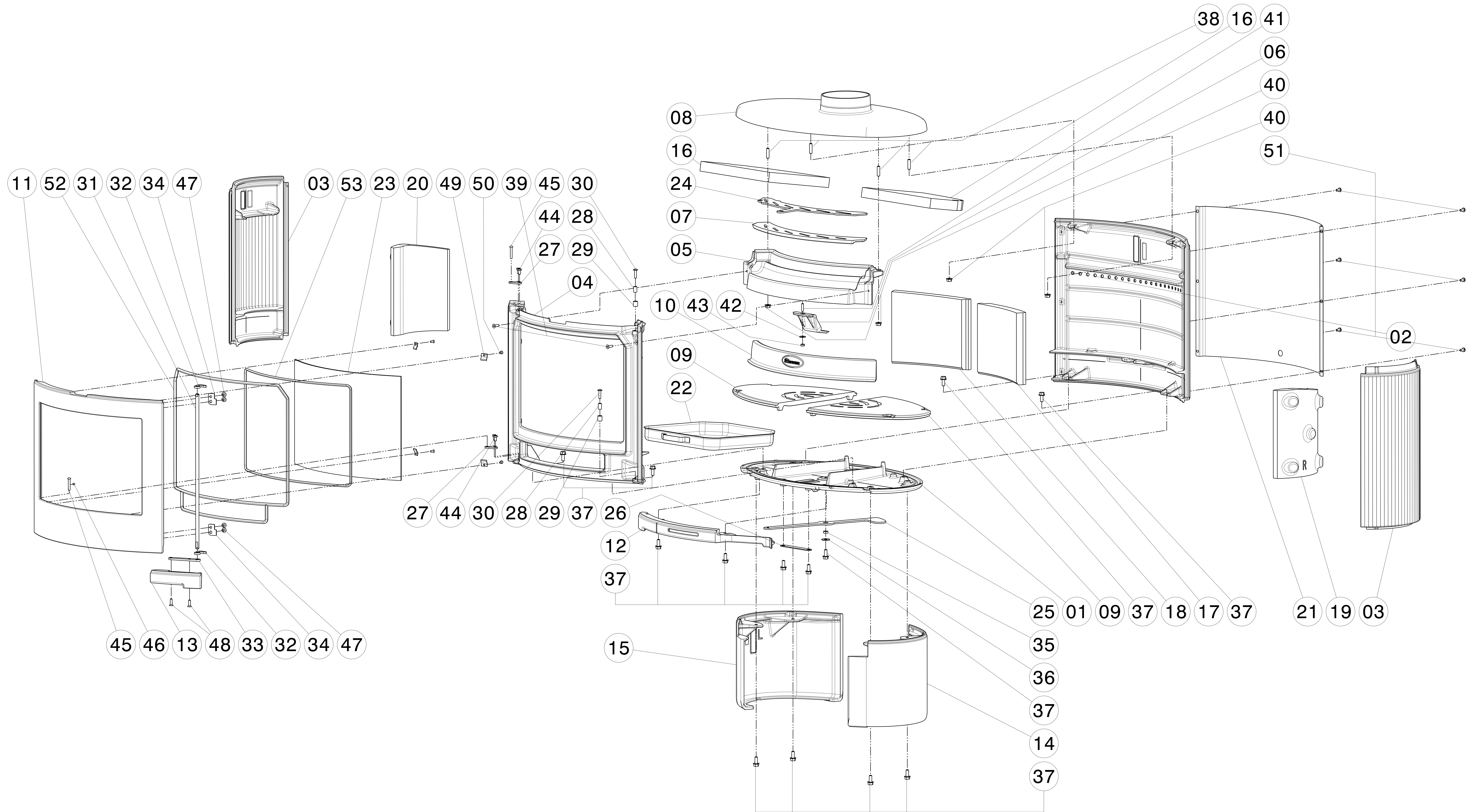




BOW DOVRE



1	03.09267.005	BODEMPLAAT BOW	BASE BOW	BOTTOM PLATE BOW	BODEN PLATTE BOW
2	03.02497.105	ACHTERWAND ARC	PLAQUE ARRIERE ARC	BACK PLATE ARC	ACHTERWAND ARC
3	03.79354.003	ZIJWAND LINKS+RECHTS BOW	PLAQUE LATERALE GAUCHE + DROITE BOW	SIDE PLATE LEFT+RIGHT BOW	SEITE WAND LINKS + RECHTS BOW
4	03.24489.202	FRONT BOW	FAÇADE BOW	FRONT BOW	FRONT BOW
5	03.37125.005	LUCHTGELEIDER BOW	CONDUCTEUR D'AIR BOW	AIR DEFLECTOR BOW	LUFT LEITER BOW
6	70.66235.000	STEUN VLAMPLAAT BOW	SUPPORT DEFLECTEUR BOW	SUPPORT BAFFLE PLATE BOW	STÜTZE FLAMLEITPLATTE
7	72.03324.000	AFDEKPLAAT LUCHTGELEIDER BOW	PLAQUE DE COUVERTURE CONDUCTEUR D'AIR BOW	COVER PLATE AIR DEFLECTOR BOW	ABDEK PLATTE LUFT LEITER BOW
8	03.69245.005	TOPPLAAT BOW	PLAQUE SUPERIEURE BOW	TOP PLATE BOW	TOP PLATTE BOW
9	70.66573.000	2 ST STOOKBODEM BOW	2 P PLAQUE DE SOLE BOW	2 PC FIRE PLATE BOTTOM	2 ST FEUER BODEN BOW
10	70.77472.021	VUURKORF BOW	GARD-BUCHES BOW	LOG RETAINER BOW	STEHROST BOW
11	03.15522.005	FRONTDEUR BOW	PORTE BOW	FRONTDOOR BOW	TÜR BOW
12	03.03325.102	AFDEKPLAAT LUCHTSCHUIF BOW	PLAQUE DE COUVERTURE BOW	COVER PLATE BOW	ABDEK PLATTE BOW
13	03.27422.002	HENDEL BOW	POIGNEE BOW	HANDLE BOW	GRIFF BOW
14	03.52289.005	POOTSTUK RECHTS BOW	PIED DROITE BOW	LEG RIGHT BOW	FUSS RECHTS BOW
15	03.52288.005	POOTSTUK LINKS BOW	PIED GAUCHE BOW	LEG LEFT BOW	FUSS LINKS BOW
16	70.77587.000	VERMICULIET VLAMPLAAT BOW	VERMICULITE DEFLECTEUR BOW	VERMICULITE BAFFLE PLATE BOW	VERMICULITE FLAMLEITPLATTE BOW
17	70.77602.000	SET VERMICULIET STENEN BOW	SET VERMICULITE PIERRES BOW	SET VERMICULITE STONES BOW	SET VERMICULIET STEINE BOW
18	70.77602.000	SET VERMICULIET STENEN BOW	SET VERMICULITE PIERRES BOW	SET VERMICULITE STONES BOW	SET VERMICULIET STEINE BOW
19	70.77602.000	SET VERMICULIET STENEN BOW	SET VERMICULITE PIERRES BOW	SET VERMICULITE STONES BOW	SET VERMICULIET STEINE BOW
20	70.77602.000	SET VERMICULIET STENEN BOW	SET VERMICULITE PIERRES BOW	SET VERMICULITE STONES BOW	SET VERMICULIET STEINE BOW
21	03.28163.000	HITTESCHILD BOW	PLAQUE DE PROTECTION BOW	HEAT SHIELD BOW	HITZE SCHILD BOW
22	70.05215.000	806 ASLADE 2000/2100/2200 ASL.806	806 BAC A CENDRES 2000/2100/2200 ASL.806	806 ASH BOX2000/2100/2200 ASL.806	806 ASCHENKASTEN 2000/2100/2200 ASL.806
23	70.26395.000	GLAS BOW	VITRE BOW	GLASS BOW	GLAS BOW
24	03.38040.000	LUCHTSCHUIF BOVEN BOW	REGLETTE D'AIR DESSUSE BOW	DRAFT CONTROL UPPER BOW	LUFT SCHIEBER OBEN BOW
25	03.38041.000	LUCHTSCHUIF ONDER BOW	REGLETTE D'AIR DESSOUS BOW	DRAFT CONTROL UNDER BOW	LUFT SCHIEBER UNTER BOW
26	03.06436.000	BESCHERMPLAAT LUCHTSCHUIF	BESCHERMPLAAT LUCHTSCHUIF	BESCHERMPLAAT LUCHTSCHUIF	BESCHERMPLAAT LUCHTSCHUIF
27	03.58513.000	SCHARNIERPLAAT BOW	PLAQUE DE SCHARNIERE BOW	HINGE PLATE BOW	SCHARNIERPLATTE BOW
28	70.79873.000	Z377 : BEV. SLUITNOK VISTA+SONATA (VERP.)	Z377 : TIGE DE FERMETURE VISTA+SONATA	Z377 : MOUNT. LOCKING PIN VISTA+SONATA (PACK)	Z377 : BEF. SPERRBOLZEN VISTA+SONATA (VERP.)
29	70.79873.000	Z377 : BEV. SLUITNOK VISTA+SONATA (VERP.)	Z377 : TIGE DE FERMETURE VISTA+SONATA	Z377 : MOUNT. LOCKING PIN VISTA+SONATA (PACK)	Z377 : BEF. SPERRBOLZEN VISTA+SONATA (VERP.)
30	70.16306.041	10 st SCHROEF M6X25	10 p VIS M6X25	10 pc SCREW M6X25	10 st SCHRAUBE M6X25
31	70.65479.000	HENDELSTANG BOW	TIGE BOW	HANDLE ROD BOW	GRIFF BOW
32	70.65479.000	HENDELSTANG BOW	TIGE BOW	HANDLE ROD BOW	GRIFF BOW
33	03.64329.005	SLUITSTUK ONDER BOW	PIECE DE FERMETURE BOW	CLOSING PIECE BOW	VERSCHLUSS STÜCK BOW
34	70.31455.000	2 ST KLEMPLAAT SCHARNIERPLAAT BOW	2 P FIXATION PLAQUE DE SCHARNIERE BOW	2 PC CLAMPING PLATE HINGE BOW	2 ST KLEMPLATTE SCHARNIERPLATTE
35	70.79864.000	Z364 : SCHARNIERPEN PRELUDE	Z364 : PIVOT PRELUDE	Z364 : HINGE PIN PRELUDE	Z364 : SCHARNIERBOLZEN PRELUDE
36	70.18710.000	10 st SLUITRING 8X25	10 p Ø8xØ25 RONDELLE	10 pc WASHER 8X25	10 st VERSCHUSS 8X25
37	70.22201.041	10 st D6921 M8X20 ZESKANTFLENSBOUT GEZW	10 p BOULON DIN 6921 M8x20 NOIR	10 pc BOLT DIN 6921 M8x20 BLACK	10 st BOLZEN DIN 6921 M8x20 SCHWARZ
38	70.19507.000	10 st TAPEIND M8X20	10 p GOUJON DIN 939 M8X20	10 pc STUD DIN 939 M8X20	10 st STIFTSCHRAUBE DIN 939 M8X20
39	70.18602.041	10 st D7991 M6X20 VERZ.SCHR.BIZK GEZW VOLDR	10 p VIS DIN 7991 M6x20 NOIR	10 pc SCREW DIN 7991 M6x20 BLACK	10 st SCREW DIN 7991 M6x20 BLACK
40	70.16502.000	10 ST D125 Ø8XØ17 SLUITRING - 16502.0	10 PC RONDELLE Ø8XØ17 - 16502.0	10 PC WASHER D125 Ø8XØ17 - 16502.0	10 ST D125 Ø8XØ17 UNTERLEGSCHIEBE - 16502.0
41	70.19512.000	10 ST D939 M6X16 TAPEINDEN	10 p GOUJON DIN 939 M6x16	10 pc STUD DIN 939 M6x16	10 st STIFTSCHRAUBE DIN 939 M6x16
42	70.18701.000	10 st D9021A Ø6XØ18 SLUITRING	10 P RONDELLE DIN 9021A Ø6	10 PC WASHER DIN 9021A Ø6XØ18	10 st UNTERLEGSCHIEBE DIN 9021A Ø6XØ18
43	70.19410.000	10 st D934 M6 ZESKANTMOEREN	10 p ECROU DIN 934 M6	10 pc NUT DIN 934 M6	10 st MUTTER DIN 934 M6
44	70.19303.000	10 st D933 M6X12 GEZWART ZESKANTTAPBOUT	10 p BOULON DIN 933 M6x12	10 pc BOLT DIN 933 M6x12	10 st BOLZEN DIN 933 M6x12
45	70.17516.000	10 ST Ø5.9x35 RVS BOLKOPKLINKNAGEL - 17505.0	10 P RIVET Ø6X35 - 17505.0	10 PC RIVET Ø6X35 - 17505.0	10 ST RIVER Ø6X35 - 17505.0
46	70.21739.041	10 st D916 M5X5 STELSCHR.BI ZESK GEZWART	10 p VIS DIN 916 M5X5 NOIR	10 pc SCREW DIN 916 M5X5 BLACK	10 st GEWINDESTIFTE DIN 916 M5X5 SCHWARZ

47	70.16305.041	10 st SCHROEF M6X10	10 p VIS M6X10	10 pc SCREW M6X10	10 st SCHRAUBE M6X10
48	70.18601.041	10 ST D7991 M6X12 VERZ.SCHR.BIZK VOL DRA	10 p VIS DIN 7991 M6x12	10 pc SCREW DIN 7991 M6x12	10 st SCHRAUBE DIN 7991 M6x12
49	70.26101.041	4ST SET GLASBEV; 20X20MM	4PC SET FIXATION VITRE 20X20	4PC SET GLASS RETAINER 20X20	4ST SET GLAS BEHÄLTER 20X20
50	70.19801.041	10 st M5X10 PLATV.SCHR.KK ZWART 4.6	10 p VIS DIN 965 M5x10 NOIR	10 pc SCREW DIN 965 M5x10 BLACK	10 st SCHRAUBE DIN 965 M5x10 SCHWARZ
51	03.20312.041	D7985 M6X16 BOLCIL KK GEZW.*	D7985 M6X16	D7985 M6X16	D7985 M6X16
52	70.79869.000	SERVICE KIT 6.5M GLASVEZELKOORD 8MM - SK	SERVICE KIT 6.5M JOINT FIBRE CERAMIQUE 8MM - SK	SERVICE KIT 6.5M GLASS FIBER ROPE 8 MM - SK	SERVICE KIT 6.5M GLASFASER SCHNUR 8MM - SK
53	70.79902.000	Z334 GL.VEZELKOORD Ø6 Z.KL.L=1.1M	Z334 JOINT FIBRE 10X3MM ADHÉSIF	Z334 GLASS FIBER ROPE Ø6 Z.KL.L=1.1M	Z334 GLASFASER SCHNUR Ø6 Z.KL.L=1.1M