



WIKING Maxi 2



WIKING Maxi 4



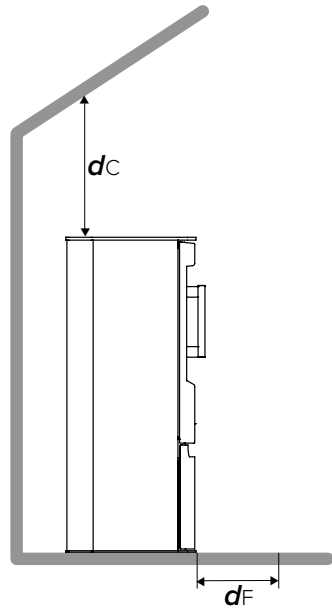
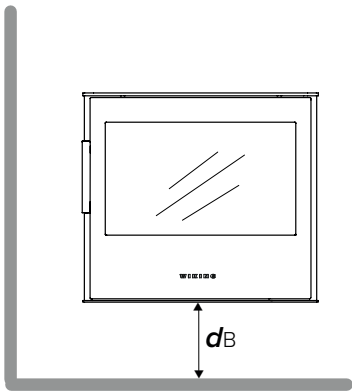
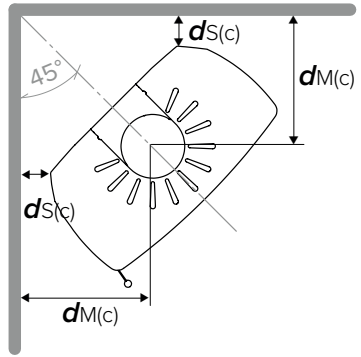
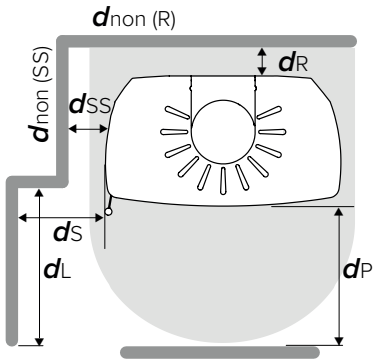
WIKING Maxi 6

Table of contents

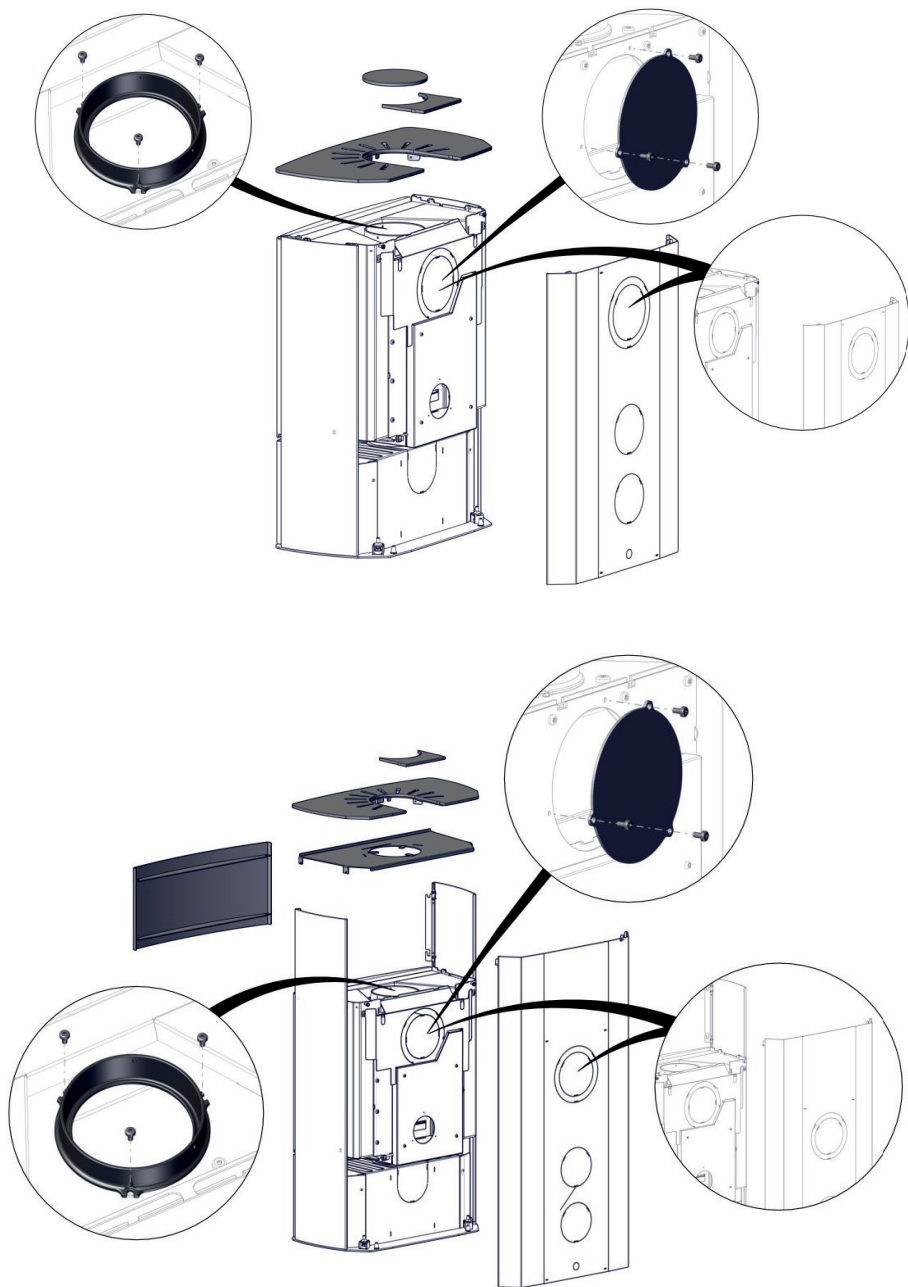
Illustrations	3
Installation manual	11
In general	11
Room requirements	11
Room sealed appliances - only applies to type CA	11
Floor plate	12
Technical specifications and data	12
Measurement and Weight	13
Distance to combustible and non combustible materials	13
Changing the smoke outlet - WIKING Maxi 2 + 4	14
Changing the smoke outlet - WIKING Maxi 6 with heat storage compartment	15
Changing the smoke outlet - WIKING Maxi 6 with warming shelf	15
The adjustable feet	16
Mounting of combustion air - applies only to type CA	16
Fitting the loose parts	16
Draught measurement	16
The data plate and the serial number	17
Requirements for chimney and flue duct	17
Connection to chimney	17
Chimney	17
Shared flue system	18
Chimney sweeping	18
Fuel	19
Approved fuel type	19
Banned fuel types	19
Liquid fuels	19
Operation	20
Your first heating session	20
Using the air control lever	20
Lighting the stove	20
Stoking	21
When burning is complete	21
Firing In General	22
Maximum amounts of fuel	22
Typical re-firing interval	22
Insufficient firing	22
How to achieve the best combustion	22
Cleaning & Maintenance	23
Cleaning	23
Maintenance	23
Emptying the ash pan	23
Vermiculite	23
WIKING® Autopilot™	23
Door/glass	24
Seals	24
Surface	24
Guarantee	24
Market surveillance	24
Trouble Shooting	25
Disposal	26
Declaration of Performance, Conformity & EcoDesign	26

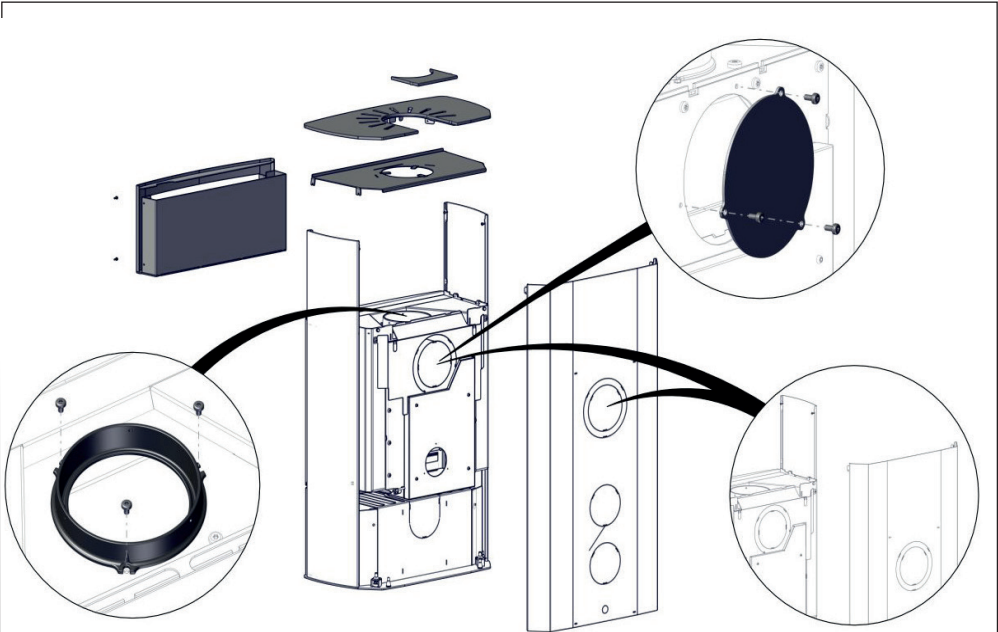
Illustrations

A.

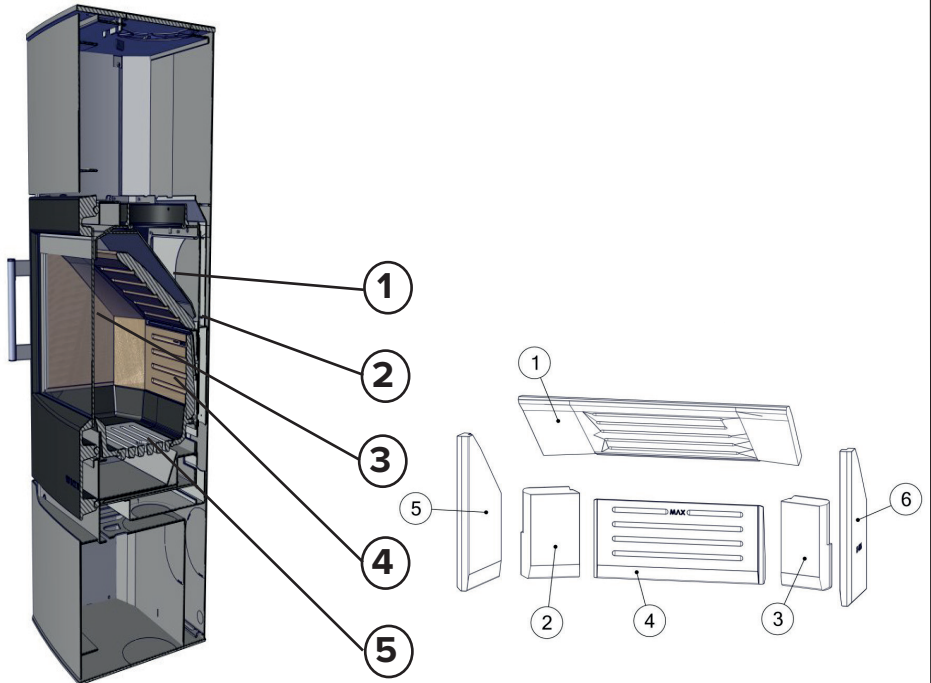


B.

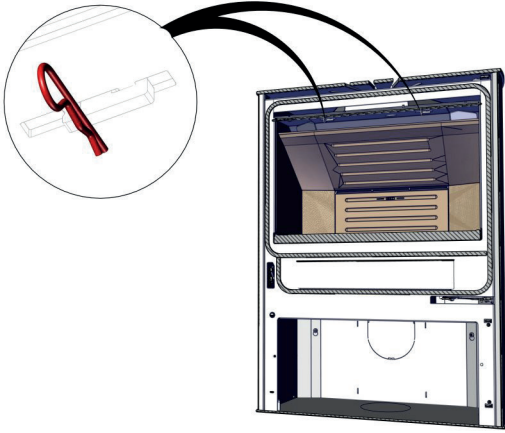




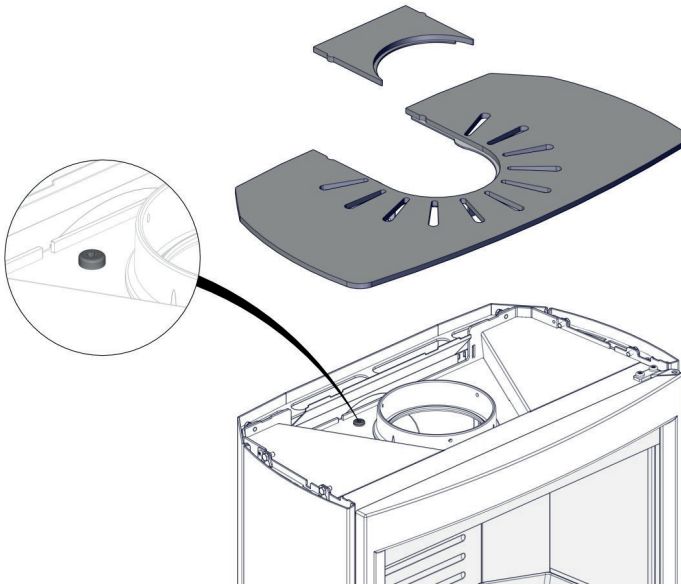
C



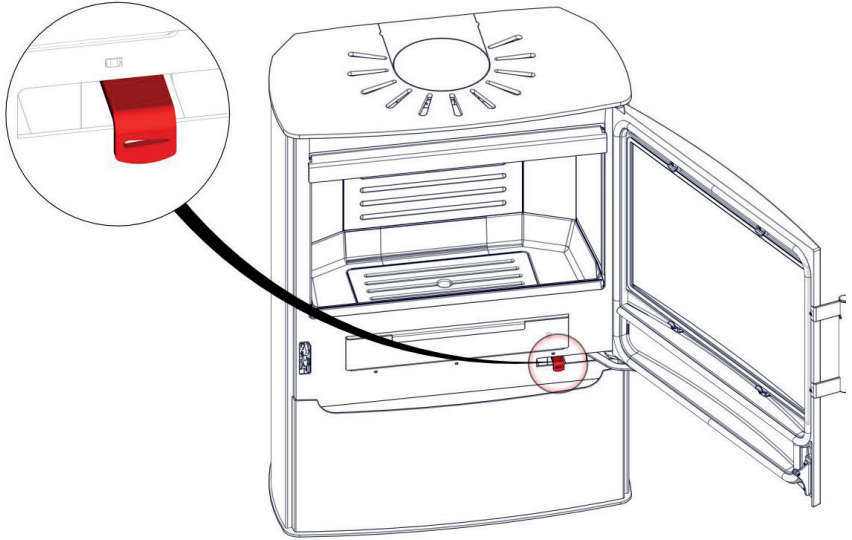
D.



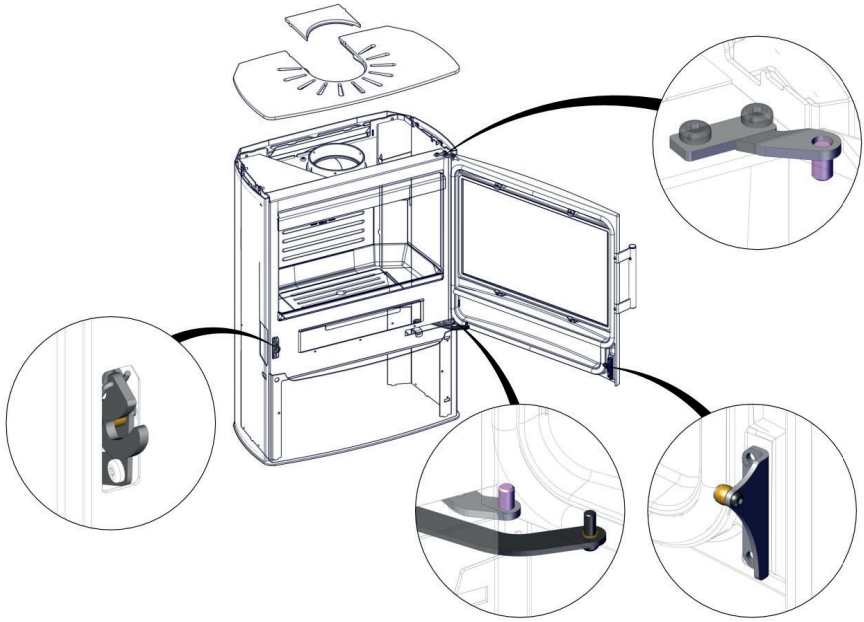
E.



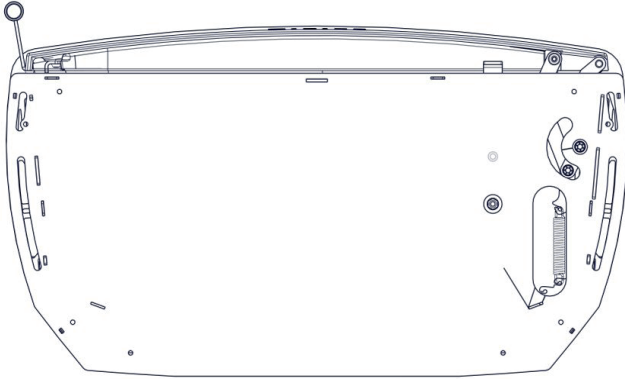
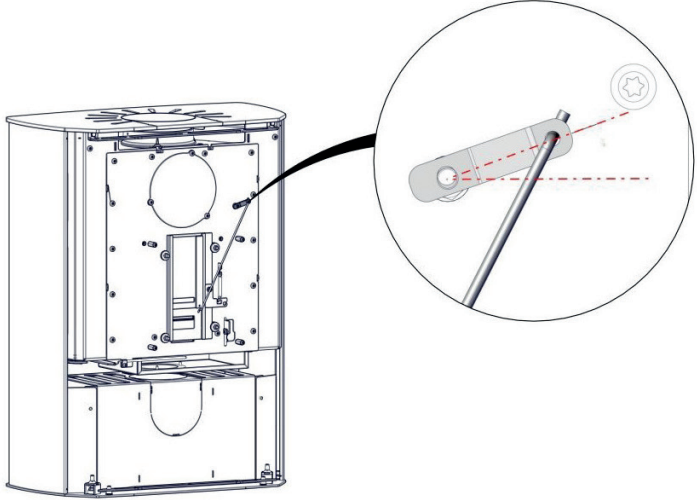
F.



G.



H.



Installation manual

In general

Congratulations on your new WIKING woodburning stove. We are pleased that you have chosen a WIKING woodburning stove and confident that it will give you much pleasure.

To ensure optimum operation and safety, we recommend that the installation should be carried out by an authorised WIKING retailer or a fitter recommended by the retailer. An overview of WIKING retailers can be found at www.hwam.com under "Retailer locations".

Before installation, it is important to read **the installation and User's manual carefully and follow the instructions and guidances**. This installation and User's manual apply to WIKING wood-burning stoves in the Maxi series with WIKING® Autopilot™, classified according to EN16510-1 type B and type CA room sealed stove). The type is indicated on the type plate on the wood-burning stove.

The installation of your WIKING woodburning stove must always comply with all European, national and local building regulations and subsequently registered with the local authorities. Upon installation, the chimney sweep must approve the installation before you can start using the woodburning stove. All WIKING woodburning stove packaging material must be handled in accordance with local waste management regulations.

Room requirements

Always ensure a supply of fresh combustion air to the room where the stove is to be installed. The woodburning stove uses approx. 14.3 m³ of air per hour. Extraction fans installed in the same room as the wood-burning stove can cause problems. A window that can be opened or an adjustable air valve will be sufficient. It must not be possible to block the adjustable air valve/grate. In newly built/airtight dwellings, we recommend that a fresh air system should be installed for the direct supply of external air to the combustion. This fresh-air system may be bought separately.

Before installing the wood-burning stove, you must ensure that the load-bearing capacity of the floor can withstand the weight of the stove and the chimney. The weight of the chimney should be calculated according to its dimensions and height.

Ensure that no combustible objects (e.g. furniture) are placed closer to the wood-burning stove than the distances specified in the tables on the following pages (fire hazard).

Room sealed appliances - only applies to type CA

The models in the WIKING Maxi series supply the combustion process with controlled external air and are specially designed for use in homes with very tight construction. The combustion air must be supplied to the stove from outside via a sealed pipe or via a LAS chimney system. The design even allows the stove to operate at a negative pressure of up to 15 Pa in the room where it is installed.


Room sealed wood-burning stoves may only be installed in rooms where the air is extracted by means of fans, such as ventilation or hot air systems, cooker hoods or tumble dryers, provided that the supply is dimensioned to ensure that the operation of these systems does not create a negative pressure greater than 15 Pa in relation to the free air in the room.

The room sealed wood-burning stove requires a minimum room size of 18.5 m³ where it is installed.

Floor plate

European, national and local regulations must be observed in terms of the size and thickness of a non-combustible floor covering the floor in front of the combustion chamber opening. Ask your WIKING retailer for assistance. The combustion chamber opening is 55.0 cm wide.

Technical specifications and data

Parameter	Explanation	Value
P_{nom}	Nominal heat output	6,6 kW
P_{SHnom}	Nominal heat output	6,6 kW
η_{nom}	Efficiency at nominal heat output	80 %
η_s	Seasonal space heating efficiency	70 %
EEI	Energy efficiency index	106
$CO_{nom} (13 \% O_2)$	CO emission at 13 % oxygen content at nominal heat output	879 mg/m ³
$NO_{xnom} (13 \% O_2)$	NOx emission at 13 % oxygen content at nominal heat output	85 mg/m ³
$OGC_{nom} (13 \% O_2)$	Hydrocarbon emission at 13 % oxygen content at nominal heat output	83 mg/m ³
$.PM_{nom} (13 \% O_2)$	Particulate matter emission at 13 % oxygen content at nominal heat output	29 mg/m ³
p_{nom}	Minimum flue draught at nominal heat output	12 Pa
s	Material type and thickness of protective insulation	25 mm
T_{snom}	Flue gas outlet temperature at nominal heat output	367°C
T-Klasse	Chimney designation	T400
$\phi_{fg\ nom}$	Flue gas mass flow at nominal heat output	5,2 g/s
V_h	Standing air loss	Not tested
CON or INT	Capable of continuous operation (CON) or intermittent operation (INT)	INT
d_{out}	Diameter of the flue gas outlet	Ø125 mm or Ø150 mm
L, H, W	Overall dimensions of the appliance (length, height, width)	See table
m	Weight of the woodburning stove	See table
m_{chim}	Maximum load of a chimney	122 kg
	Read and follow the Installation and User Manual	

Measurement and Weight

Model	Weight	Height	Width	Dept
WIKING Maxi 2	113 kg	592 mm	667 mm	363 mm
WIKING Maxi 2 on a plinth	114 kg	608 mm	667 mm	363 mm
WIKING Maxi 2 with low legs	114 kg	652 mm	667 mm	363 mm
WIKING Maxi 2 with high legs	116 kg	842 mm	704 mm	363 mm
WIKING Maxi 4 with wood store	130 kg	892 mm	667 mm	363 mm
WIKING Maxi 4 with lower door	133 kg	892 mm	667 mm	363 mm
WIKING Maxi 4 with wood store and natural stone cladding grey	222 kg	926mm	743 mm	363 mm
WIKING Maxi 4 with lower door and natural stone cladding grey	225 kg	926mm	743 mm	363 mm
WIKING Maxi 6 with wood store	140 kg	1183 mm	667 mm	363 mm
WIKING Maxi 6 with lower door	143 kg	1183 mm	667 mm	363 mm
WIKING Maxi 6 with wood store and natural stone cladding grey	232 kg	1223 mm	743 mm	363 mm
WIKING Maxi 6 with lower door and natural stone cladding grey	235 kg	1223 mm	743 mm	363 mm
WIKING Maxi 6 with wood store and natural stone cladding white	262 kg	1223 mm	743 mm	363 mm
WIKING Maxi 6 with lower door and natural stone cladding white	265 kg	1223 mm	743 mm	363 mm
Heat storage stones, WIKING Maxi	69 kg			

Distance to combustible and non combustible materials

Min. distances - <u>uninsulated</u> flue gas pipe (illustration A)		WIKING Maxi 2	WIKING Maxi 4 WIKING Maxi 6
d_R	To combustible wall, rear	150 mm	150 mm
d_S	To combustible side, in front of the stove	450 mm	450 mm
d_{SS}	To combustible wall, side	150 mm	150 mm
d_C	To combustible ceiling	650 mm	650 mm
d_P	To combustible materials in front of the stove	1350 mm	1350 mm
d_F	To combustible floor in front of stove	600 mm**	0 mm
d_L	To combustible sidewall in the radiation area	0 mm	0 mm
d_B	To combustible floor under the stove	300 mm*	0 mm
$d_{non(R)}$	To non-combustible wall, rear, recommended	100 mm	100 mm
$d_{non(SS)}$	To non-combustible wall, side, recommended	100 mm	100 mm
$d_{S(C)}$	Corner installation, 45°, from wall to stove	100 mm	100 mm
$d_{M(C)}$	Corner installation, 45°, from wall to center flue outlet	435 mm	435 mm

*This distance requirement is met when the wood-burning stove is mounted with high legs or on the wall with the required distance below the wood-burning stove.

**This distance requirement only applies if the distance requirement 'dB' is not met.

Min. distances - <u>insulated</u> flue gas pipe (illustration A)		WIKING Maxi 2	WIKING Maxi 4 WIKING Maxi 6
d_R	To combustible wall, rear	75 mm***	75 mm***
d_S	To combustible side, in front of the stove	450 mm	450 mm
d_{SS}	To combustible wall, side	150 mm	150 mm
d_C	To combustible ceiling	700 mm	700 mm
d_P	To combustible materials in front of the stove	1350 mm	1350 mm
d_F	To combustible floor in front of stove	600 mm**	0 mm
d_L	To combustible sidewall in the radiation area	0 mm	0 mm
d_B	To combustible floor under the stove	300 mm*	0 mm
$d_{non(R)}$	To non-combustible wall, rear, recommended	100 mm	100 mm
$d_{non(SS)}$	To non-combustible wall, side, recommended	100 mm	100 mm
$d_{S(C)}$	Corner installation, 45°, from wall to stove	75 mm	75 mm
$d_{M(C)}$	Corner installation, 45°, from wall to center flue outlet	411 mm	411 mm

*This distance requirement is met when the wood-burning stove is mounted with high legs or on the wall with the required distance below the wood-burning stove.

**This distance requirement only applies if the distance requirement ' d_B ' is not met.

*** A distance of 10 cm to non-combustible wall is recommended to facilitate service on WIKING® Autopilot™

Remember to pay attention to the applicable regulations concerning the required distance between the wall and smoke pipe.

IMPORTANT:

- Combustible materials may not be placed underneath WIKING Maxi 2. WIKING Maxi 2 with a plinth and WIKING Maxi 2 with low legs must not be placed on combustible floors.
- It is still considered a combustible floor even if an ember catching, a non-combustible floor plate is placed on top of the combustible floor.
- WIKING Maxi 2 with low legs and WIKING Maxi 2 with plinth must be installed on a BS non-combustible/constructional hearth. The non-combustible/constructional hearth must extend 650 mm in front of the stove to comply with the 100°C demand.
- If WIKING Maxi 2 is to be mounted on a wall, the wall must be constructed in non-combustible materials.

Please be aware that not all glass parts are heat-resistant. For this reason, a glass wall should sometimes be treated as a combustible wall, in which case we ask you to contact your local chimney sweep or glass producer to hear at what distance the stove should be kept from glass.

Changing the smoke outlet - WIKING Maxi 2 + 4

If changing the smoke outlet from top outlet to back outlet, proceed as follows (illustration B):

1. Lift the top plate off the stove.
2. Loosen the screws and remove the back plate.
3. Remove the flue collar on the top of the stove by unscrewing the three screws and lifting it off.
4. There is a cut-out for the flue duct pipe in the heatshield. Break off the plate within this cut-out to make a hole that the flue duct pipe can fit into.
5. There is a cut-out for the flue duct pipe in the back plate. Break off the plate within this cut-out to make a hole that the flue duct pipe can fit into.
6. Remove the cover plate on the back of the stove by unscrewing the three screws (Torx Bit no. 30) and lifting it off.
7. Fit the cover plate on top of the stove with the three screws.
8. Place the flue collar in the smoke outlet hole in the back of the stove and secure it with the three screws.
9. Rescrew the back plate on the stove.

10. Replace the top plate on the stove.

A top flue blanking plate can be bought as an accessory to cover the hole in the top plate of the stove if the stove is connected to a back outlet.

Changing the smoke outlet - WIKING Maxi 6 with heat storage compartment

If changing the smoke outlet from top outlet to back outlet, proceed as follow (illustration B):

1. Lift the top plate off the stove.
2. Lift the front of the heat storage compartment up and forward, unhooking it from the four guide pins.
3. Loosen the screws and remove the top plate of the heat storage compartment.
4. Loosen the screws and remove the back plate.
5. Remove the flue collar on the top of the stove by unscrewing the three screws and lifting it off.
6. There is a cut-out for the flue duct pipe in the heat shield. Break off the plate within this cut-out to make a hole that the flue duct pipe can fit into.
7. There is a cut-out for the flue duct pipe in the back plate. Break off the plate within this cut-out to make a hole that the flue duct pipe can fit into.
8. Remove the cover plate on the back of the stove by unscrewing the three screws (Torx Bit no. 30) and lifting it off.
9. Fit the cover plate on top of the stove with the three screws.
10. Place the flue collar in the smoke outlet hole in the back of the stove and secure it with the three screws.
11. Rescrew the back plate on the stove.
12. Put the top plate back in the heat storage compartment.
13. Hook the front onto the four guide pins.
14. Replace the top plate on the stove.

An accessory top flue blanking plate is available to cover the hole in the stove top plate if the smoke outlet is connected at the rear of the stove.

Changing the smoke outlet - WIKING Maxi 6 with warming shelf

If changing the smoke outlet from top outlet to back outlet, proceed as follow (illustration B):

1. Lift the top plate off the stove.
2. **Loosen the screws and remove arming shelf.**
3. Loosen the screws and remove the back plate
4. Remove the flue collar on the top of the stove by unscrewing the three screws and lifting it off.
5. There is a cut-out for the flue duct pipe in the heatshield. Break off the plate within this cut-out to make a hole that the flue duct pipe can fit into.
6. There is a cut-out for the flue duct pipe in the back plate. Break off the plate within this cut-out to make a hole that the flue duct pipe can fit into.
7. Remove the cover plate on the back of the stove by unscrewing the three screws (Torx Bit no. 30) and lifting it off.
8. Fit the cover plate on top of the stove with the three screws.
9. Place the flue collar in the smoke outlet hole in the back of the stove and secure it with the three screws.
10. Rescrew the back plate on the stove.
11. **Put the warming shelf back on the stove.**
12. **Replace the top plate on the stove.**

A top flue blanking plate can be bought as an accessory to cover the hole in the top plate of the stove if the stove is connected to a back outlet.

The adjustable feet

WIKING Maxi 4 and 6 are delivered with four adjustable feet that can be fitted, as needed. Open the lower door. Loosen the screws in each side of the vertical cover plate in the back of the chamber. Lift up the cover plate, tilt the lower part forward and pull the cover plate out. Mount and adjust the adjustable feet screws in accordance with the instructions in the QR code, 2 in each side, to the desired height. Hook the cover plate back in place and tighten the two screws.



Mounting of combustion air - applies only to type CA

A Ø100 mm connector for the fresh air connection is fitted to the wood-burning stove. Flexible pipes, insulation sleeves, cable ties and clamps are supplied with the wood-burning stove. It is important to note that there must be sufficient chimney draught if the flexible pipe is bent when installing the fresh air system, as a bend creates resistance. If fresh air is supplied via a damper flap, ensure that this damper flap is open when the stove is in use.

If the combustion air system is to be connected at the rear, do the following:

Pull the insulation sleeve over the flexible pipe and place it on the connector on the rear plate. Continue the flexible pipe outwards or connect it to the LAS.

If the combustion air system is to be connected through the stove's base plate, do the following:

Open the stove's bottom door. Pull the insulation sleeve over the flexible pipe and insert it into the opening in the base plate. Attach the flexible pipe to the connector. Extend the flexible pipe further out or connect it to the LAS.

Fitting the loose parts

Before the stove is installed, you must ensure that all loose parts are fitted correctly.

Please note: The combustion chamber is covered with plates made of vermiculite, which is a heat-insulating material. These plates ensure that the optimal combustion temperature is quickly reached, and they must therefore remain inside in the wood-burning stove.

Vertical cross-section of the stoves (illustration C):

1. The steel baffle plate (1) is hung from two hooks and equipped with two pins (7) that serve as transport security. Remember to remove the two pins before you start using the stove.
2. The vermiculite smoke deflector (2) plate must rest on vermiculite side plates (3) and must be pushed as far back as possible into the combustion chamber.
3. The rear plate (4) must be pushed all the way back in the combustion chamber and pushed together with the vermiculite side plates (3).
4. The cast iron bottom plate and grate (5) should lie flat in the bottom of the combustion chamber.

Draught measurement

When installing the stove or when troubleshooting, it may be necessary to check the draught of the stove to ensure that the stove works together with the chimney and that the correct amount of air is being added. Behind the chimney outlet of the stove there is a hole with a diameter of 7.5 mm (illustration E) through which the draught can be measured. During normal operation, an M8 bolt is screwed into the hole and this should always be present.

The data plate and the serial number

On WIKING Maxi 2, WIKING Maxi 4 with wood store and WIKING Maxi 6 with wood store the data plate is placed on the back of the stove.

On the WIKING Maxi 4 with lower door and WIKING Maxi 6 with lower door the data plate and the serial number are placed on the inside of the lower door.

Locate the unique serial number of your wood-burning stove and make a note of it below so that it is always easily accessible. The serial number must always be provided when contacting your WIKING retailer.

Requirements for chimney and flue duct

The height of the chimney must ensure sufficient draught and prevent any smoke nuisance. As a general rule, satisfactory draught conditions are achieved if the chimney is 4 m above the stove and at least 80 cm above the ridge.

It is important that the applicable standards for the chimney are complied with (EN 15287-1:2023 and EN 15287-2:2023). The function of the chimney must also, in accordance with EN 13384-2:2015+A1:2019, depend on the individual situation at the installation site.

If the chimney is placed on a side wall, the top of the chimney should always be higher than the ridge or the tallest point of the roof.

The woodburning stove requires a minimum draught of 12 Pa. If measured just above the smoke flue socket, the chimney draught must be 18-20 Pa.

The chimney must have a minimum diameter of 125 mm or 150 mm. The chimney may need to be provided with an easily accessible cleaning door, if the flue system requires one. The chimney and flue duct must be of flue class T400 and be CE marked. Furthermore, it must have obtained the classification of G in soot fire testing. The required distance to combustible material must be complied with in accordance with the data plate. Ask your WIKING retailer for further information.

Connection to chimney

All the stoves have both back and top smoke outlet that can be connected to an approved steel chimney on top or directly out at the rear to a chimney.

Make sure that the chimney is tight and that no false draught is caused around either the cover plate, in connection with a covered smoke outlet, or the cleanout door and pipe connections. Please note that bent and/or horizontal smoke pipes will reduce the effect of the chimney draught.

Chimney

The chimney is the “motor” of the stove and it is crucial for the functioning of the woodburning stove. The chimney draught provides a partial vacuum in the stove. This vacuum removes the smoke from the stove, draws air through the dampers for the so-called glass air wash rinse which keeps the glass free of soot, and sucks in air through both the primary and secondary dampers for the combustion.

The chimney draught is created by the differences in temperature inside and outside the chimney. The higher the temperature within the chimney, the greater the draught. It is crucial, therefore, that the chimney is warmed up properly before closing the damper and limiting the combustion in the stove (a brick chimney takes longer to warm up than a steel chimney). On days where the weather and wind conditions create insufficient draught inside the chimney, it is even more important to warm up the chimney as quickly as possible. The trick is to quickly get some flames going. Split the wood into extra fine pieces, use an extra firelighter, etc.

If the stove has not been used for a longer period, it is important to check that the flue system is not blocked.

Shared flue system

It is possible to connect several stoves to the same chimney. However, the applicable regulations must first be checked.

Chimney sweeping

To prevent the risk of chimney fires, the chimney must be cleaned every year. The flue duct and the smoke chamber above the baffle plate must be cleaned together with the chimney. If the chimney is too tall to be cleaned from above, it must be equipped with a soot door.

In case of a chimney fire, close all dampers and call the firefighters. Before any further use, have the wood-burning stove and chimney checked by the chimney sweep and a qualified heating engineer.

Fuel

Approved fuel type

The wood-burning stove is EU approved (EN-15610) for burning wood logs with a moisture content of 12-18% exclusively. Stoking a fire with wet wood results in soot, environmental problems, and a less efficient fuel economy.

It is recommended to purchase a wood moisture meter to continuously check that the firewood has the correct moisture content before using it for burning. Split the wood and measure the moisture content of the split surfaces.

Recommended dimensions

The dimensions of the fuel are important to good combustion. The dimensions should be as follows:

Fuel type	Length in cm	Diameter in cm
Wood for kindling a fire (finely chopped)	14-28	2-5
Chopped wood	28-50	5-9

Banned fuel types

It is not allowed to stoke a fire with the following:

- Printed matter
- Plywood
- Plastic
- Rubber
- Fluid fuels
- Waste such as milk cartons
- Lacquered wood or impregnated wood
- Fossil fuels

The reason that you should not use any of the above is that during combustion they develop substances that are health hazardous and harmful to the environment. These substances could also damage your wood burning stove and chimney, rendering the products warranty void.

Liquid fuels

Never use petrol, petrol-like lamp oils, paraffin, lighter fluid, ethyl alcohol or similar liquids to light or relight the stove. All such liquids must be kept away from the stove when it is in use.

Operation

Your first heating session

When you light the wood-burning stove for the first time, you must do it carefully as all materials must be heated up gradually. The lacquer will be fully hardened after the wood-burning stove has been lit up for the first time. The door must be opened carefully; otherwise, there is a risk that the seals will stick to the lacquer. In addition, the lacquer may initially give off an unpleasant odour, so make sure that the room is well ventilated.

Warning: The accompanying glove may wear the surface paint off. Be careful not to touch the painted surfaces the first two to three times you light the fire. Even after the paint has hardened, repeated use of the glove may wear the surface paint off.

Using the air control lever

To achieve good combustion, which results in better heating efficiency, it is important to add the right amount of air to the fire. Air is regulated with a user-friendly, one-lever system that is located under the stove door; (see illustration F).

When lighting a cold stove and stoking with new wood, the air control lever must be pushed to the extreme left to give the fire maximum air supply. When the fire is burning well, the air supply can be gradually reduced by moving the regulating lever to the right.

The air supply can be reduced further by moving the air control lever to the extreme right. This setting should only be used in the case of overheating, if there is a fire in the chimney or when the fire in the stove has been allowed to go out completely in connection with cleaning, for instance.

Lighting the stove

A successful combustion process requires that the wood is lit in the right way. A cold stove and a cold chimney challenge the combustion process. Be careful to make a good lighting with suitably dry wood, using kindling and lighting the fire in the top layers of kindling. It is important to achieve a high flue gas temperature quickly.



Move the air control lever to the extreme left to fully open the air supply to the combustion chamber. Place two pieces of wood (5-9 cm in diameter) horizontally in the bottom of the combustion compartment (corresponding to 1-2 kg). Place 5-8 pieces of kindling randomly on top. Place 2 firelighters between the top layer of kindling. Light up the fire-lighters and close the stove door. When the kindling is burning well, move the air control lever to middle position.

If the fire goes out when the air control lever is moved, return it to maximum position again until the fuel catches fire and then move it to middle position again. Allow the kindling to burn up completely until there are no longer any visible flames. The stove can then be stoked again.

Important! The ash pit must not be opened when lighting up. It must always be closed when the stove is in use. Otherwise the WIKING® Autopilot™ does not function. The door should only be opened when lighting up, when restoking, and when cleaning the stove. Never leave a stove before there are lasting flames in the wood after firing!

Important! Room sealed appliances (type CA) must not be used if the door seal is damaged.

Stoking

When there are no more visible yellow flames, and the embers are there, you can reload again. The layer of embers are ready for reloading when the pieces of wood begin to disintegrate, and the bottom of the combustion chamber is covered by embers. Carefully open the door to prevent smoke and embers from escaping. Place 2 pieces of chopped firewood (approx. 1 kg) on top of the embers. The firewood should not be stacked higher than up to the "MAX" mark in the vermiculite rear plate (illustration F). Close the door again.

Do not regulate the stove again as the WIKING® Autopilot™ will do this, but the temperature can be adjusted with the air control lever. Moving it to the right will reduce the rate of combustion and make the stove burn slower. Moving it to the left will increase the rate of combustion and make the stove burn faster. Wait until the layer of embers is suitably low before stoking again.

During combustion, the exterior surfaces of the wood-burning stove will become hot, and necessary caution must be exercised. Use the glove provided if necessary.

When burning is complete

When the stove is not in use, turn the air control knob all the way to the left.

We recommend wiping the glass after a fire. This is best done using a paper towel.

Firing In General

Maximum amounts of fuel

The maximum allowed amount of fuel per hour is:

Wood: 1.96 kg

If these limits are exceeded, the stove will no longer be covered by the factory guarantee, and it may also become damaged due to excessive heat, the glass may turn white, for example. The stove has been approved for intermittent use.

Typical re-firing interval

Typical re-firing interval at nominal performance

Wood: 49 min (1.6 kg)

Insufficient firing

If the fireproof materials in the combustion chamber are blackened after a fire, then the stove is polluting, and the automatic air flow regulation system is malfunctioning. Therefore, more air must be supplied. It may also be necessary to burn more wood.

How to achieve the best combustion

- **Use clean and dry wood**

Wet wood results in inefficient combustion, plenty of smoke, and soot. Furthermore, the heat will dry the wood, not heat up the room.

- **The fire should only be stoked with a little wood at a time**

You achieve the best combustion by starting up a fire often and using only a little wood. If you use too much firewood, it will take some time before the temperature reaches a level where you achieve good combustion.

- **Make sure there is the right amount of air**

You should also make sure that there is plenty of air – especially in the beginning - so the temperature in the wood burning stove climbs quickly. In this way the gases and particles released during the combustion will be consumed by the fire. Otherwise, they build up soot in the chimney (constituting a chimney fire risk) or will be released in a non-combusted state into the environment. The wrong amount of air supply creates inefficient combustion and a modest effect.

- **Don't slumber the fire during night time**

We advise against adding firewood to your stove and reducing the air supply at night in an attempt to still have some embers left in the morning. If you do so, large amounts of hazardous smoke will be emitted, and your chimney will be exposed to unnecessarily large amounts of soot with the risk of a chimney fire.

Cleaning & Maintenance

Cleaning

Any maintenance of the stove should only be carried out when it is cold. Daily maintenance is limited to vacuum cleaning the stove externally, using the soft brush attachment. You can also dust the stove using a dry, soft cloth or brush. But remember, only when the stove is cold. Do not use water, spirit or any other kind of cleaner, as this will damage the lacquer.

Once a year, the stove should be thoroughly serviced. The combustion chamber should be cleared of ashes and soot. The hinges and the closing hook must be greased with liquid copper grease spray (heat-resistant up to 1100°C). Lift the door approx. ½ cm and spray copper grease onto the hinge leaf (illustration G).

Before chimney sweeping can be performed, the air control knob must be set to its minimum position to prevent soot and ash from entering the WIKING® Autopilot™. Unless the safety fittings for transportation have not already been removed, twist the safety fittings for transportation (illustration D) off the two hooks by using pliers or a screwdriver. The smoke shelf and baffle plate is to be removed from the stove before cleaning (illustration C).

- First lift the smoke shelf (1) out of the steel rail (2) at the back of the combustion chamber. Next, lower it beneath the holders (3) and slide it out.
- Lift each half of the steel smoke plate (4) off the holder (5) behind the smoke pipe, and remove them from the hook (6) beneath the top plate.

Maintenance

Your stove should be given a thorough, preventive inspection once every two years. This includes:

- Thorough cleaning of the stove.
- Check the spring in the WIKING® Autopilot™ unit and replace if necessary.
- Checking gaskets. Replace gaskets if they are not intact or have softened.
- Checking of heat insulating material and possibly replacement.
- Checking of the bottom/shaking grate.
- Lubricating the hinges and the locking hook with cobber grease (illustration G).

Emptying the ash pan

It is easiest to empty the ash pan by pulling a plastic bag over it, turning it upside down and then carefully removing it from the bag. Ashes are disposed of via the domestic waste collection.

Please note that there may be embers in the ashes for up to 24 hours after the fire has gone out!

Vermiculite

The efficient, but porous insulation of the combustion chamber may, in time, be worn and damaged. Cracks in the insulation are irrelevant to the efficiency of the stove. A crack in the back plate can cause secondary air to become incorrectly distributed in the combustion chamber, and it should therefore be replaced. However, it should be replaced if there are actual holes due to parts of the lining falling off or when, due to wear and tear, it has been reduced to less than half its original thickness.

WIKING® Autopilot™

The spring in the WIKING® Autopilot™ should be checked at least once every second year. This is done as follows (illustration H):

WIKING Maxi 2/WIKING Maxi 4: Lift the top plate off the stove. Loosen the screws and remove the back plate. Remove the heatshield.

On a cold stove, check the starting point of the arm. The starting point on a cold stove is about 14° above horizontal. It should feel easy going and bouncy when you push it, no matter if the stove is cold or hot. With rising or falling temperatures, it must not move quickly. The damper plates must be dry and clean and slide together unhindered. Remount the heatshield, the rear plate and the top plate.

WIKING Maxi 6 with heat storage compartment: Lift the top plate off the stove. Lift the front (1) of the heat storage compartment up and forward, unhooking it from the four guide pins. Loosen the screws and remove the top plate of the heat storage compartment. Loosen the screws and remove the back plate. Remove the heatshield. On a cold stove, check the starting point of the arm. The starting point on a cold stove is about 14° above horizontal. It should feel easy going and bouncy when you push it, no matter if the stove is cold or hot. With rising or falling temperatures, it must not move quickly. The damper plates must be dry and clean and slide together unhindered. Remount the heatshield, back plate, the top plate of the heat storage compartment, the front of the heat storage compartment and the top plate.

WIKING Maxi 6 with warming shelf: Lift the top plate off the stove. Loosen the screws and remove the warming shelf. Loosen the screws and remove the back plate. Remove the heatshield. On a cold stove, check the starting point of the arm. The starting point on a cold stove is about 14° above horizontal. It should feel easy going and bouncy when you push it, no matter if the stove is cold or hot. With rising or falling temperatures, it must not move quickly. The damper plates must be dry and clean and slide together unhindered. Remount heatshield, the back plate, the warming shelf and the top plate.

Door/glass

A sooty glass door can easily be cleaned with a piece of moist kitchen roll dipped in ash. Go about it in vertical movements (up and down). Follow up with a dry piece of kitchen roll. You should also ensure that air gaps in the door frame are free of ash and soot particles.

Seals

Check frequently to ensure that seals in the door and ash pan are intact and not brittle. Failing this, they should be replaced. Use original seals only.

Surface

treatment to the painted surfaces of the wood-burning stove can be necessary, if the surfaces are touched frequently, e.g. the door handle and the lower door. Damage to the paintwork may occur if the stove is touched while it is hot. However, this can be repaired with spray paint, which can be purchased from the WIKING retailer where the stove was purchased.

Guarantee

The guarantee does not cover damage due to insufficient maintenance!

Market surveillance

In the nominal test, lighting the stove, pre-burn and four test burns were performed. Birch wood was used. The fire was lit with 2.7 kg of firewood at maximum air flow, with larger pieces of firewood at the bottom and smaller pieces at the top. Once the fire is well established, the air is reduced to the nominal setting, i.e. 25% open. For the pre-burn and the four test burns, two pieces of firewood with a total weight of 1600 g and a length of 28 cm were ignited. The wood is placed along the vermiculite in the back, in the middle of the combustion chamber and with a small distance between the pieces. The piece of wood facing the glass weighs 100 g more than the rear piece of wood.

A test burn is completed when the CO₂ level is around 7% and the flames are calm. The ember layer weighs between 300 and 400 g. After firing, maximum air is supplied for at least 1.5 minutes. When it is assessed that combustion is well underway, the air intake is slowly reduced to 25%.

Trouble Shooting

Blackened glass

- The wood is too damp. Only use wood stored for at least 12 months under cover and with a moisture level not exceeding 12-18% RH.
- Faulty gasket in the door. The gaskets should be soft and flexible. If they are not, replace them. New gaskets can be purchased from your retailer.
- The temperature inside the stove is too low. Put more wood in the stove and open the air inlet.

The vermiculite-plates in the combustion chamber are blackened after firing

- You have got the stove hot enough, i.e., there is not enough air or firewood. Open the air inlet. Moreover, using a larger quantity of wood might be needed.

The stove is making "clicking" sounds during heating up and cooling down

- Due to temperature differences to which material is exposed to. This is normal and does not indicate any defects on the wood-burning stove.

Smoke in the room when opening door

- The damper in the chimney is closed. Open the damper.
- Poor chimney draft. Ensure that the smoke pipe or chimney is not blocked. Ensure that the chimney height is correct in relation to its surroundings..
- The firewood is in flames. Never open the door if the firewood is in flames.

Uncontrollable combustion

- Faulty gasket in the door. The gaskets should be soft and flexible. If they are not, replace them. New gaskets can be purchased from your retailer.
- If there is an excessive chimney draft, it may be necessary to close the air inlet. Always close the air inlet when the stove is not in use.
- If the steel plates in the combustion chamber develop scales or become deformed, this is due to excessive heat. Stop using the stove and contact the retailer.

At interruptions that you cannot yourself rectify, you should contact the retailer.

Disposal

At the end of its service life, the wood-burning stove must be sorted as follows:

Combustion chamber, door, combustion chamber base, smoke outlet, air control, and top plate - sorted as iron

Ceramic glass - must not be mixed with ordinary glass

Gaskets on glass, door and ash pan – sorted as landfill, as they contain fibreglass

Vermiculite – sorted as landfill

Heat storage stones – made of concrete – are sorted as concrete

Natural stone – sorted as stone and gravel

Floor plates – tempered glass – sorted as glass

Declaration of Performance, Conformity & EcoDesign

The DoP can be downloaded from our website via the following links:

www.hwam.com/dop/EN16510/Maxi_02

Scan the QR code to find the Declaration of Conformity (DoC).



**Product information on solid fuel local space heaters
according to Commission regulation (EU) 2015/1185**

Model	WIKING Maxi 2, WIKING Maxi 4, WIKING Maxi 6
Direct heat output [kW]	6,6
Indirect heating functionality	No
Indirect heat output [kW]	-
Type of heat output/room temperature control	Two or more manual stages, no temperature control

Space heating performance at nominal heat output		
Fuel	Preferred fuel	Seasonal space heating energy efficiency [%]
Wood logs with moisture content 12-18 %	Yes	80
Emissions	mg/m³ (13% O₂)	
Particulate matter (PM)	29	
Organic gaseous compounds (OGC)	83	
Carbon monoxide (CO)	879	
Nitrogen oxides (NO _x)	85	

Characteristics when operating with the preferred fuel only	
Nominal heat output [kW]	6,6
Electric power consumption nominal heat output [kW]	-
Electric power consumption minimum heat output [kW]	-
Electric power consumption standby mode [kW]	-
Useful efficiency at nominal heat output [%]	80
Energy efficiency index	A
Energy efficiency class	106

Specific Precautions during Assembling, Installing & Maintenance:

See installation instructions for more information

Product End-of-Life/Recycling:

To dispose of the stove after the product life has expired, please observe the following information

- Dispose of the items correctly i.e. separate the parts to be disposed of in material groups
- Always dispose of items in a way that is as sustainable as possible and that is in line with the current environmental protection, reprocessing/recycling and disposal technology

